

MARTHOMA RESIDENTIAL SCHOOL, THIRUVALLA
ANNUAL EXAMINATION 2017-2018
BIOLOGY

STD: VIII

Time: 2Hrs
Marks: 80

SECTION I (40 marks)

Question I

a. Name the following.

(6)

1. The vaccine used for poliomyelitis.
2. Any one disease caused due to the deficiency of protein in the diet.
3. The disease in which eye lens turns opaque.
4. The condition in which nitrogenous wastes accumulate in the body.
5. A goat breed that provides expensive wool.
6. A genetic disease in which blood clotting takes place very slowly.

b. Define the following.

(6)

1. Health.
2. Disease
3. Vaccination.
4. Green revolution.
5. Agriculture.
6. Sericulture.

c. Give any one point of difference between the following.

(5)

1. Pets and livestock.
2. Cash crop and food crop
3. Draught animals and Milch animals.
4. Kharif crop and rabi crop.
5. Artery and vein.

d. Given below are sets with four terms each. In each set one term is odd and cannot be grouped in the same category in which the other three belong. Identify the odd one in each set and name the category to which the remaining three belong **(10)**

1. Cerebrum, cerebellum, semilunar valve, medulla oblongata.
2. Salivary gland, pancreas, thyroid gland, adrenal gland.
3. Scurvy, beriberi, thalassemia, goitre.
4. Tuberculosis, Hepatitis, Pneumonia, Cholera.
5. Rubber, tea, cereals, coffee,

e Give the exact location for the following.

1. Tricuspid valve.
2. Heart
3. Stomata
4. Companion cells.

(4)

f Give the function of the following.

1. Xylem.
2. Cowper's gland.
3. Valve
4. Platelets.

g Given below are certain biological statements which are incomplete and hence incorrect. Rewrite the correct form of the statement by inserting suitable word/word in the right place. Do not delete any word already given in the statement. Underline the inserted word.

(5)

1. Fertilisation is the product of egg nucleus and sperm nucleus.
2. Transpiration is the loss of water from the leaves of the plant.
3. A reflex action is a spontaneous response to stimuli.
4. The starch is transported in the form of solution through phloem.
5. Glucagon stimulates the breakdown of glycogen into glucose.

SECTION 2 (40 marks)

Question 2

a Give reason for the following.

(5)

1. Organic farming is considered better over inorganic farming.
2. An alcoholic person when drunk generally walks clumsily.
3. Beer and wine possess only 14% of alcohol.
4. Ventricles are larger chambers and have thick and more muscular walls.
5. Testes lie within the scrotum outside the abdomen.

b. Write short note on:

(5)

1. Vaccine preparation
2. Aqua culture
3. Alcoholic fermentation
4. Saprophyte
5. Vectors

Question 3

- a. Given diagram is an outline of the human body. Redraw the same and then place the following glands in their correct position and label them.

(5)

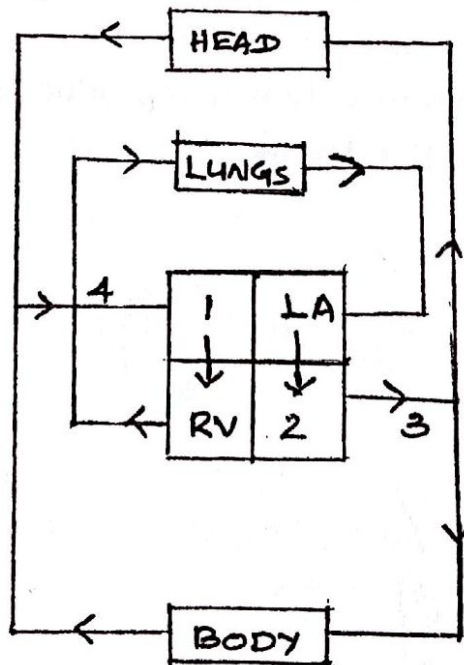
- Thyroid gland
- Adrenal gland
- Pituitary gland
- Pancreas



- Name any one hormone produced by each of the glands b and c.
- What would a child suffer from if there was a hyposecretion from thyroid gland?
- Mention the cluster of hormone secreting cells in pancreas.

- Given below is a diagrammatic representation of human circulatory system. Study the diagram and answer the questions that follow.

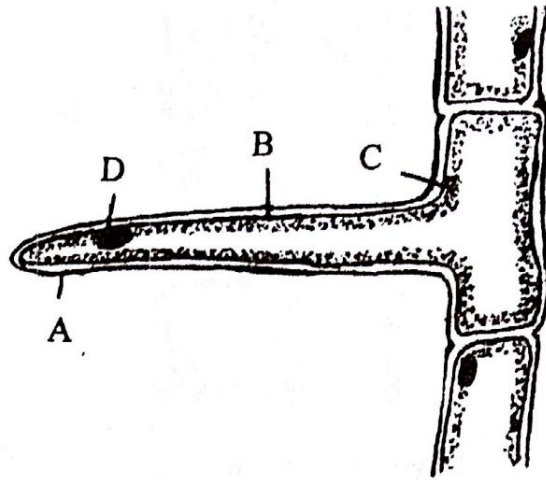
(5)



- Label the parts 1-4 indicated in the diagram.
- Give one difference between the parts 1 and 2 based on their structure.
- What is the specific name of the type of blood circulation that take place between heart and lungs.
- In which organ of our body does blood get oxygenated?
- Differentiate between blood and lymph.

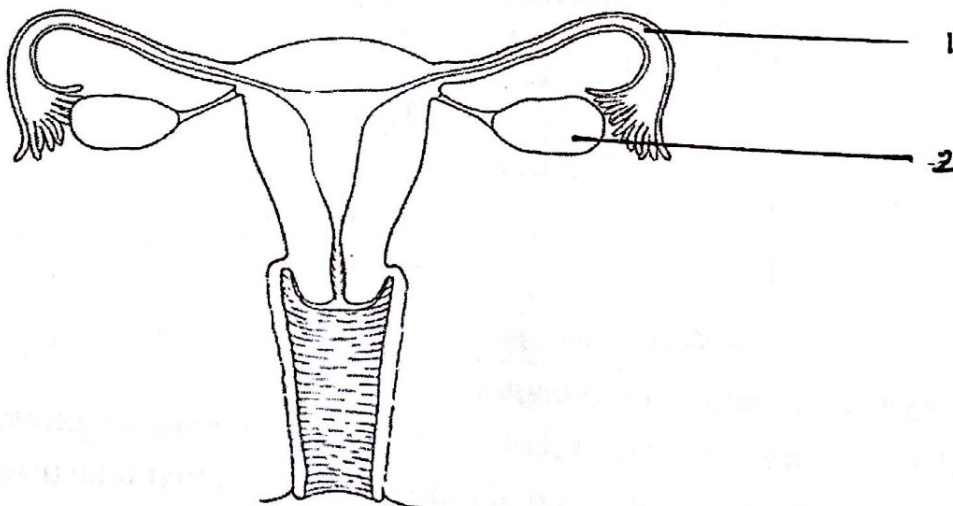
Question 4

- a. The diagram given below represents a layer of epidermal cells showing a fully grown root hair. Study the diagram and answer the questions that follow: (5)



1. Name the parts labelled A, B, C and D.
 2. Write the distinct difference between A and B.
 3. How are the root hairs suited for absorbing water?
 4. Name the process that takes place through B.
- b. The diagram given below is the human female reproductive system. Study the same and answer the questions that follow.

(5)

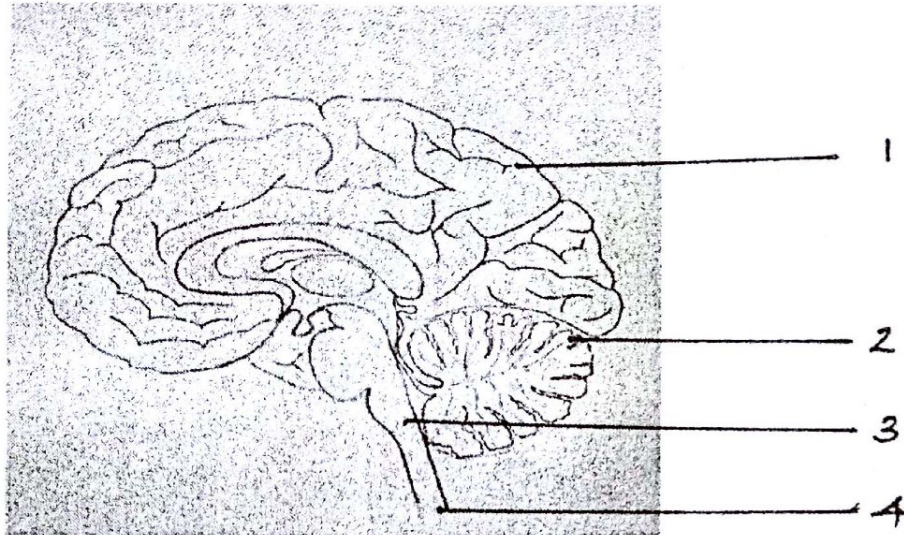


1. Label the parts numbered 1 and 2 and write their functions.
2. What is implantation?
3. Define gestation?
4. What is human gestation period?
5. Draw a well labelled diagram of human sperm.

Question 5

a. Study the following diagram and answer the questions that follow.

(6)



1. Label the parts 1-4.
2. Write any one function of each of the labelled parts.
3. Name the part from where spinal cord extends.
4. Give any one function of spinal cord.
5. Name the two major divisions of the human nervous system.

b. Given below are four sets of five terms .Write them in correct order so as to be logical sequence.

(4)

1. Effector, Spinal cord, Sensory nerve, Motor nerve, Receptor.
2. Serum, Fibrinogen, Fibrin, Thrombin, Platelets.
3. Cropping, Harvesting, Spawning, Casing, Preservation, Composting
4. Aorta, Right auricle, Venacava, Pulmonary artery, Pulmonary vein.