

MARTHOMA RESIDENTIAL SCHOOL, THIRUVALLA
SECOND TERMINAL EXAMINATION 2018-2019
BIOLOGY

STD: VI

Time: 2 Hrs
Marks: 80

SECTION I (40 marks)

Question I

- a. Name the following. (5)
1. The instrument used to amplify the sound of heart beat.
 2. The muscle which is found in heart.
 3. The largest gland in human body.
 4. The material with which cell wall is made up of.
 5. The part of digestive system which stores undigested waste matter called faeces.
- b. Define the following. (5)
1. Nutrition.
 2. Respiration.
 3. Assimilation.
 4. Protoplasm.
 5. Cell.
- c. Give any one point of difference between the following. (5)
1. Cell wall and cell membrane.
 2. Inhalation and exhalation.
 3. RBC and WBC.
 4. Chromoplast and leucoplast.
 5. Arteries and veins.
- d. Write the functions of the following. (5)
1. Haemoglobin.
 2. Chloroplast.
 3. Valve.
 4. Saliva.
 5. Hydrochloric acid.
- e. Choose the odd one out from the following terms given and name the category to which the others belong. (10)
1. Ingestion, Respiration, Assimilation, Absorption.
 2. Incisors, canines, amylase, molars.
 3. Vacuoles, proteins, fats, vitamins.
 4. Bronchitis, Asthma, Pnuemonia, obesity.
 5. Ribosome, mitochondrion, lysosome, plastids

f Write the location of following.

1. C-shaped cartilage rings.
2. Villi.
3. Pancreas.
4. Canines.
5. Heart.

g Match the following

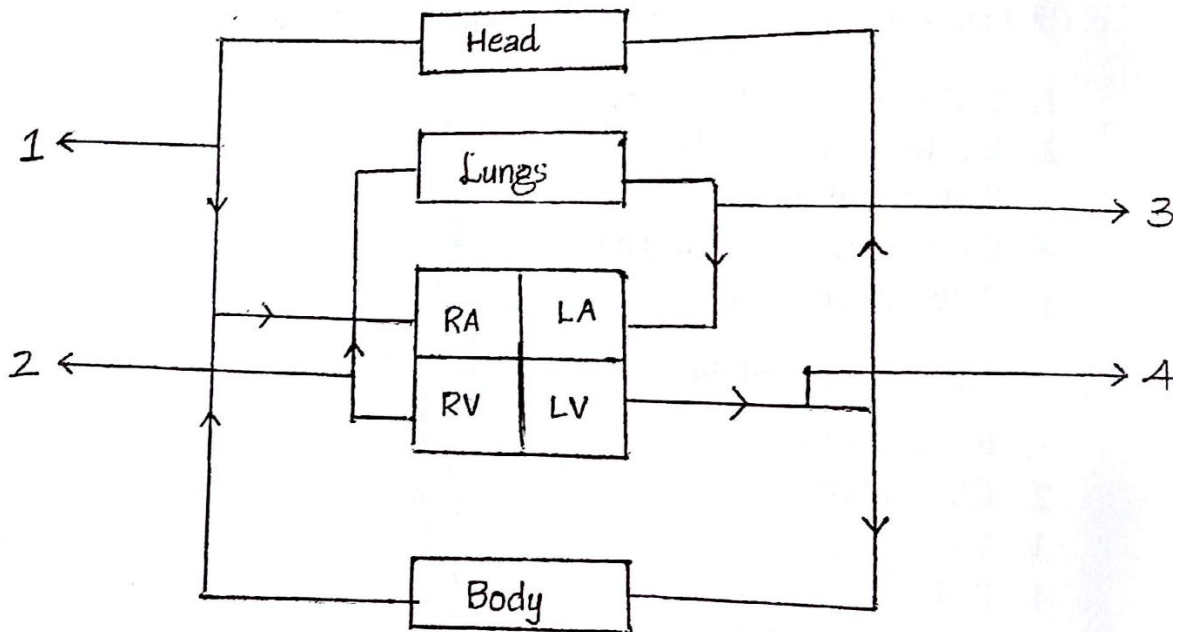
1. Diaphragm
2. Caries
3. Vacuole
4. Epiglottis
5. Pneumonia

- tooth
- Penicillin
- trachea
- cell sap
- breathing

SECTION 2 (40 marks)

Question 2

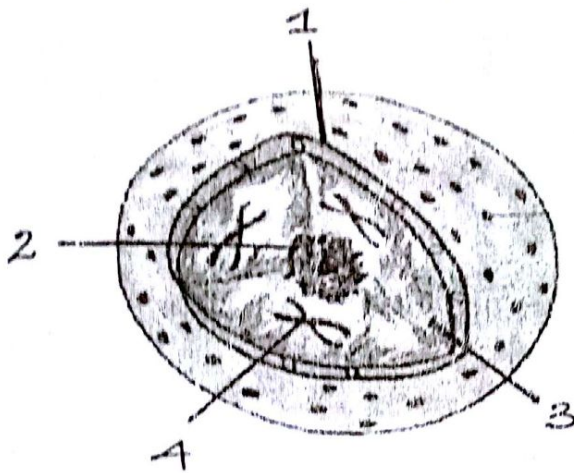
- a. The diagram given below is the diagrammatic sketch of blood circulation in human. Study the same and answer the questions that follow.



1. Label the blood vessels numbered 1-4.
 2. Name the type of blood carried by the blood vessel labelled 4
 3. Name the main artery which takes blood from heart to different parts of the body.
 4. Name the chamber of the heart which receives blood from the lungs.
- b. Correct the following false statements by changing the word underlined.
1. The process of eliminating the undigested food through the anus is called circulation.
 2. At the entrance of the trachea there is a voice box called pharynx.
 3. Bile juice is produced by pancreas.
 4. Aerobic respiration does not utilise oxygen.
 5. WBC helps in clotting of blood.

Question 3

a. Given below is the diagram of certain part of a cell. Study the same and answer the questions that follow.



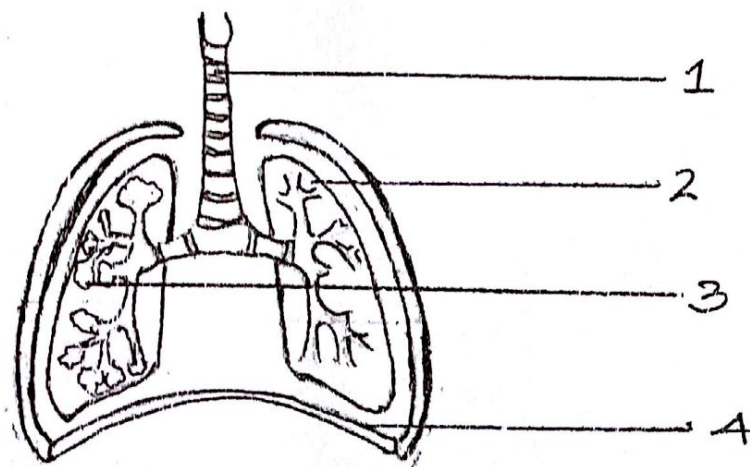
1. Identify the above shown diagram.
2. Write the function of the part shown above.
3. Label the parts 1-4.
4. What is the function of the part labelled 4.

b.

1. Draw a well labelled diagram of a tooth.
2. Name the part labelled in which nerves and blood vessels are found.
3. Which are the four kinds of teeth?

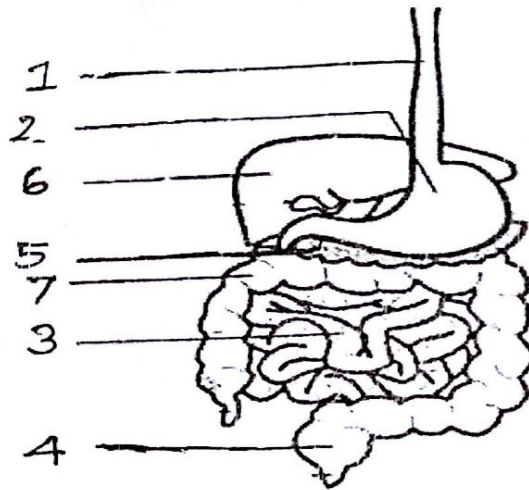
Question 4

a Given below the diagram of human respiratory system. Study the same and answer questions that follow.



1. Label the parts 1-4
2. Name the functional unit of part labelled 2.
3. Name the outer and inner coverings of part labelled 2.
4. Write the function of the fluid present between the outer and inner covering

b. Given below is an organ system found in human beings. Study the diagram and answer questions that follow. (5)



1. Label the parts 1-4
2. Name any two enzymes produced by part labelled 5.
3. Name the secretion produced by part 6 and write any one function of it.
4. Identify the part labelled 7 and write its function.

Question 5

a. Draw neat and labelled diagrams of plant and animal cell! Write any three differences between plant and animal cell.

b. Write briefly about the following

1. Tuberculosis
2. Cellular respiration
3. Care of the teeth
4. WBC
5. Saliva